

# MERCURY

*leadership through innovation*



# About us

Mercury Pneumatics Pvt. Ltd., commenced producing pneumatic products in 1980, as a small scale firm. Its motto was to introduce to the India market, world class products of latest design, at an affordable price. The product range consists of Pneumatic Cylinders, Hydro-Pneumatic Presses, Hydro-Pneumatic Pump and Special Products for OEM applications.

Mercury Fluid Power Pvt. Ltd is a sister concern of Mercury Pneumatics Pvt, Ltd., and is being operated under the same, having office at Shendra (5 Star Industrial Area) Aurangabad, Maharashtra,

Commenced in 2007, we at Mercury Fluid Power Pvt. Ltd. handle all standard pneumatic products manufactured at the factory/ traded under our Brand. Our standard pneumatic product range covers pneumatically operated Solenoid Valves, pneumatic cylinders, Air Preparation Units (FRL- Filter/ Regulators/ Lubricators), PU Fittings/ one touch fittings, PU Tubes.

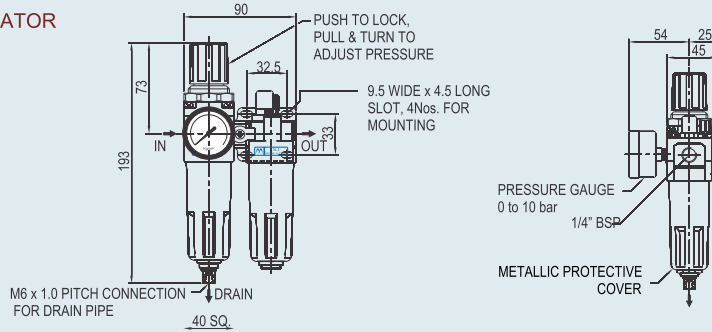
We trade our products into the market across India and abroad through our Business Associates/ Dealer/ Distributors. Having more than 50 channel partners across India helps us serving our customers at ease. We also have our channel partners overseas in Kenya & Nigeria.

Our well equipped office and qualified staff is always there to serve our clients/channel partners 24 x 7.



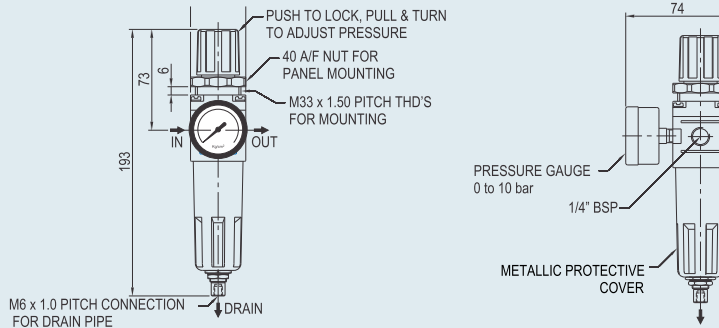
Main Manufacturing Plant at Vasai - Mumbai

## FILTER REGULATOR+LUBRICATOR



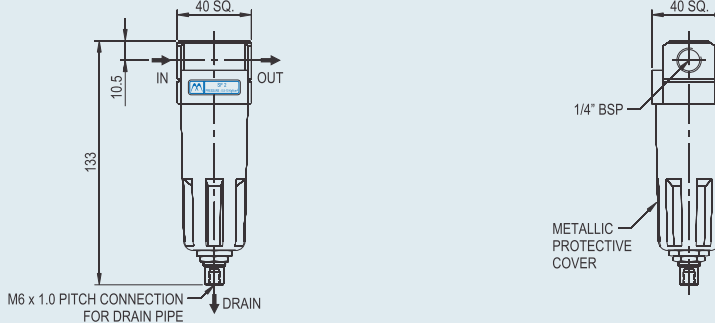
Model	SFR+L02
Port	1/4" BSP
Pressure Range	0.5-8.5 kgf/sq.cm
Temperature	+5° to 50 °C
Filtering Density	25µm
Fluid	Air
Max. Flow Rate	500 lit/min (NLPM)
Recommended Oil	Hydrol 32/Encol 32/ Servo System 32
Pressure Gauge Port	1/8" BSP
Protective Cover	Metallic
Weight	0.56 kg

## FILTER REGULATOR



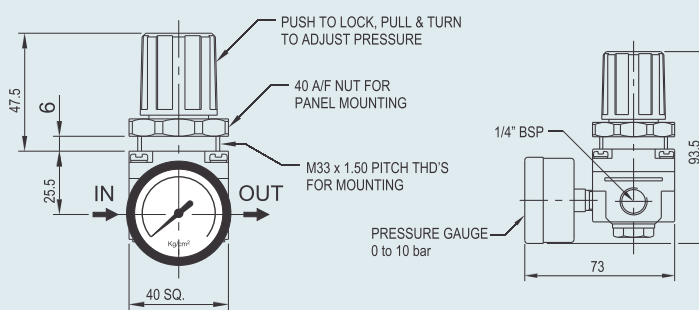
Model	SFR 02
Port	1/4" BSP
Pressure Range	0.5-8.5 kgf/sq.cm
Temperature	+5 to 500 C
Filtering Density	25µm
Fluid	Air
Max. Flow Rate	500 lit/min (NLPM)
Pressure Gauge Port	1/8" BSP
Protective Cover	Metallic
Weight	0.35 kg

## FILTER



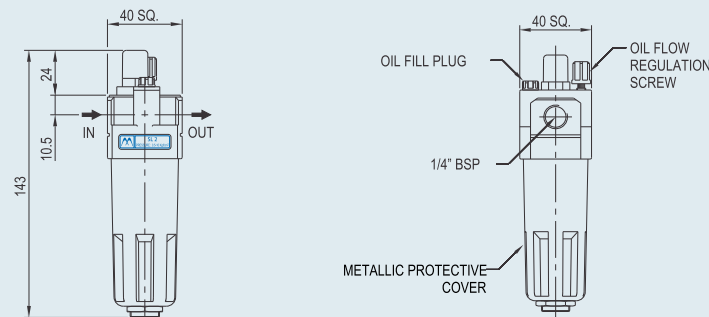
Model	SF 02
Port	1/4" BSP
Pressure Range	0.5-8.5 kgf/sq.cm
Temperature	+5° to 50 °C
Filtering Density	25µm
Fluid	Air
Max. Flow Rate	550 lit/min (NLPM)
Protective Cover	Metallic
Weight	0.17 kg

## REGULATOR



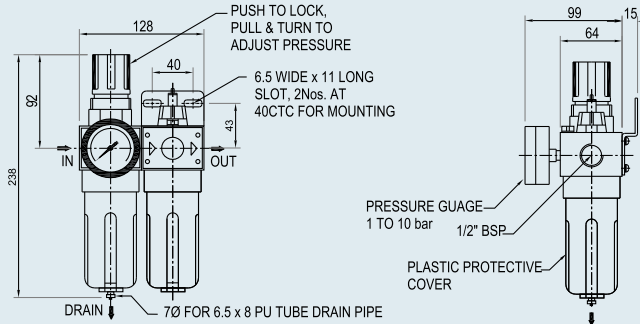
Model	SR 02
Port	1/4" BSP
Pressure Range	0.5-8.5 kgf/sq.cm
Temperature	+5° to 50 °C
Fluid	Air
Pressure Gauge Port	1/8" BSP
Max. Flow Rate	550 lit/min (NLPM)
Weight	0.23 kg

## LUBRICATOR



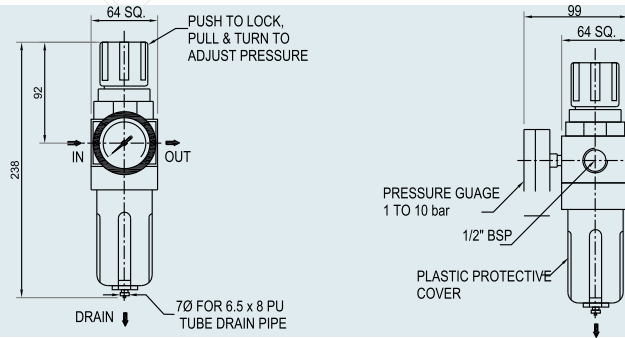
Model	SL 02
Port	1/4" BSP
Pressure Range	0.5-8.5 kgf/sq.cm
Temperature	05° to 50 °C
Fluid	Air
Lubricant	Hydrol 32/Encol 32/ Servo System 32
Max. Flow Rate	750 lit/min (NLPM)
Min. Oil Drop Flow	15 lit/min
Protective Cover	Metallic
Weight	0.16 kg

### FILTER REGULATOR+LUBRICATOR (Also Available in Metal)



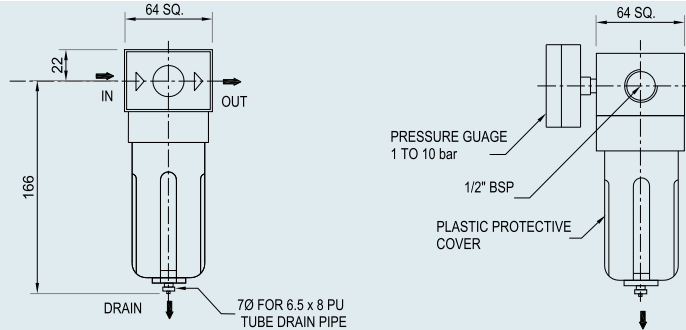
Model	MFR+L04
Port	1/2" BSP
Pressure Range	0.5-9.9 kgf/sq.cm
Temperature	+5 to 60°C
Filtering Density	40µm
Fluid	Air
Max. Flow Rate	2750 lit/min (NLPM)
Recommended Oil	Hydrol 32/Encol 32/ Servo System 32
Pressure Gauge Port	1/4" BSP
Bowl Material	Polycarbonate
Protective Cover	Plastic
Weight	1.20 kg

### FILTER REGULATOR



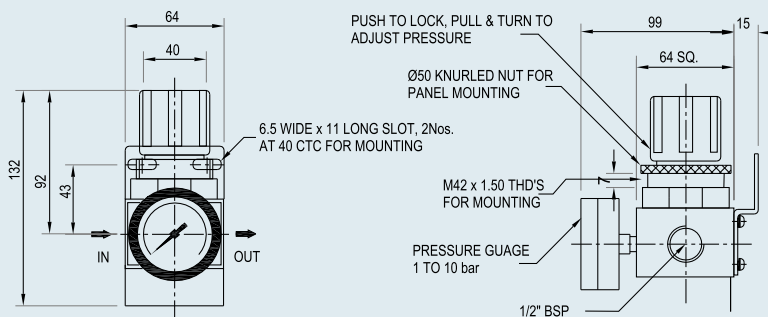
Model	MFR 04
Port	1/2" BSP
Pressure Range	0.5-9.9 kgf/sq.cm
Temperature	+5 to 60°C
Filtering Density	40µm
Fluid	Air
Max. Flow Rate	2750 lit/min (NLPM)
Pressure Gauge Port	1/4" BSP
Bowl Material	Polycarbonate
Protective Cover	Plastic
Weight	0.70 kg

### FILTER



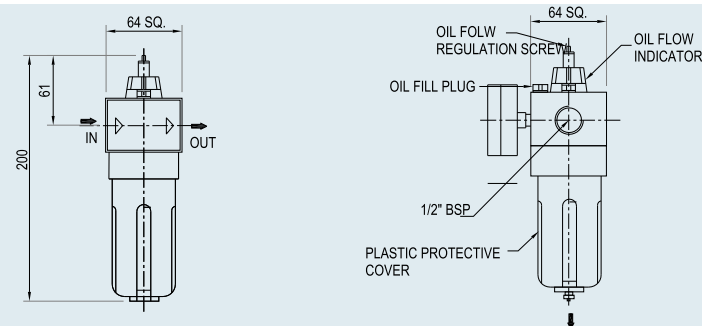
Model	MF 04
Port	1/2" BSP
Pressure Range	0.5-9.9 kgf/sq.cm
Temperature	+5 to 60°C
Filtering Density	40µm
Fluid	Air
Max. Flow Rate	3030 lit/min (NLPM)
Bowl Material	Polycarbonate
Protective Cover	Plastic
Weight	0.45 kg

### REGULATOR



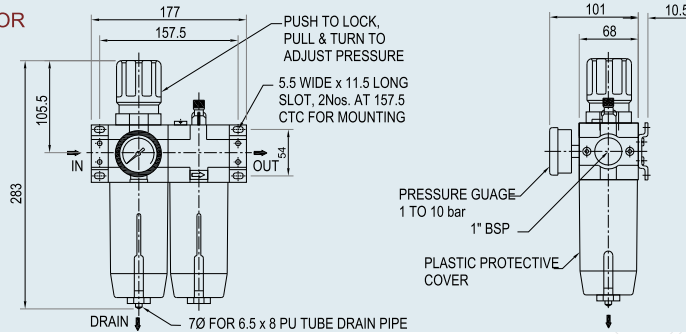
Model	MR 04
Port	1/2" BSP
Pressure Range	0.5-9.9 kgf/sq.cm
Temperature	+5 to 60°C
Fluid	Air
Pressure Gauge Port	1/4" BSP
Protective Cover	Plastic
Weight	0.45 kg
Max. Flow Rate	2750 lit/min (NLPM)
Weight	0.62 kg.

### LUBRICATOR



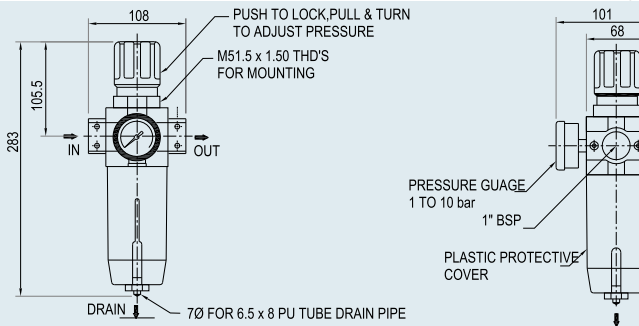
Model	ML 04
Port	1/2" BSP
Pressure Range	0.5-9.9 kgf/sq.cm
Temperature	+5 to 60°C
Filtering Density	5µm
Fluid	Air
Lubricant	Hydrol 32/Encol 32/ Servo System 32
Max. Flow Rate	4310 lit/min (NLPM)
Min. Oil Drop Flow	15 lit/min
Bowl Material	Polycarbonate
Protective Cover	Plastic
Weight	0.45 kg

**FILTER REGULATOR+LUBRICATOR**



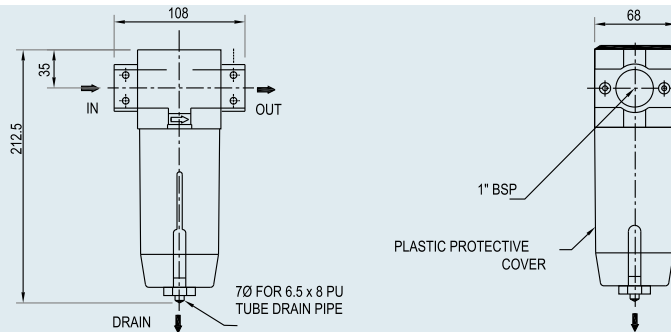
Model	MFR+L06	MFR+L08
Port	3/4" BSP	1" BSP
Pressure Range	0.5-8.5 kgf/sq.cm	
Temperature	05 to 60°C	
Filtering Density	5µm & 40µm	
Fluid	Air	
Max. Flow Rate	7900 lit/min (NLPM)	8100 lit/min. (NLPM)
Recommended Oil	Hydrol 32/Encol 32/ Servo System 32	
Pressure Gauge Port	1/4" NPT	
Bowl Material	Polycarbonate	
Protective Cover	Plastic	
Weight	1.98 kg	1.95 kg

**FILTER REGULATOR**



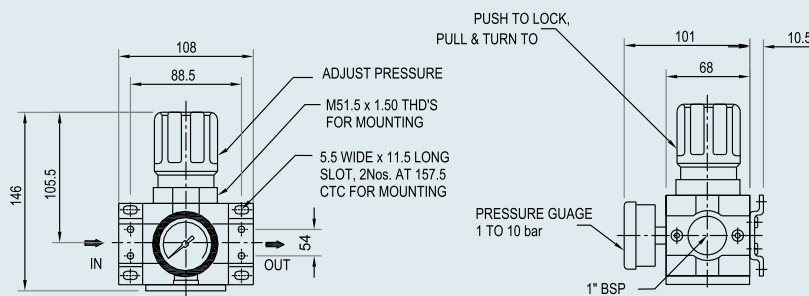
Model	MFR 06	MFR 08
Port	3/4" BSP	1" BSP
Pressure Range	0.5-8.5 kgf/sq.cm	
Temperature	05 to 60°C	
Filtering Density	5µm & 40µm	
Fluid	Air	
Max. Flow Rate	7900 lit/min (NLPM)	8100 lit/min. (NLPM)
Pressure Gauge Port	1/4" NPT	
Bowl Material	Polycarbonate	
Protective Cover	Plastic	
Weight	1.30 kg	1.27 kg

**FILTER**



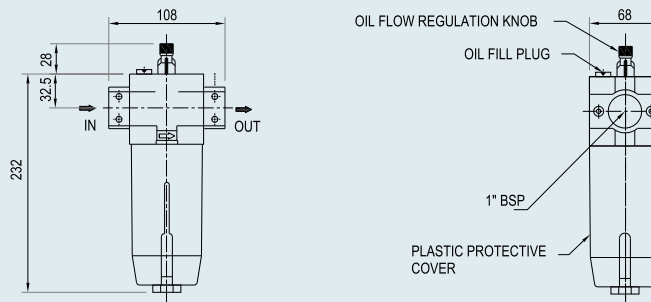
Model	MF 06	MF 08
Port	3/4" BSP	1" BSP
Pressure Range	0.5-8.5 kgf/sq.cm	
Temperature	05 to 60°C	
Filtering Density	5µm & 40µm	
Fluid	Air	
Max. Flow Rate	8000 lit/min (NLPM)	8400 lit/min. (NLPM)
Bowl Material	Polycarbonate	
Protective Cover	Plastic	
Weight	0.80 kg	0.78 kg

**REGULATOR**



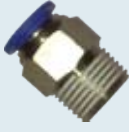
Model	MR 06	MR 08
Port	3/4" BSP	1" BSP
Pressure Range	0.5-8.5 kgf/sq.cm	
Temperature	05 to 60°C	
Fluid	Air	
Pressure Gauge Port	1/4" NPT	
Max. Flow Rate	7900 lit/min (NLPM)	8100 lit/min. (NLPM)
Weight	0.80 kg	0.78 kg


**LUBRICATOR**





Model	ML 06	ML 08
Port	3/4" BSP	1" BSP
Pressure Range	0.5-8.5 kgf/sq.cm	
Temperature	05 to 60°C	
Filtering Density	5µm & 40µm	
Fluid	Air	
Lubricant	Hydrol 32/Encol 32/ Servo System 32	
Max. Flow Rate	8200 lit/min (NLPM)	8800 lit/min. (NLPM)
Min. Oil Drop Flow	15 lit/min	
Bowl Material	Polycarbonate	
Protective Cover	Plastic	
Weight	0.84 kg	0.82 kg

Code	01	02	03	04
Thread Size	1/8"	1/4"	3/8"	1/2"

Male Connector	
	
MPC 04 - M5	
MPC 04 - 01	
MPC 04 - 02	
MPC 06 - M5	
MPC 06 - 01	
MPC 06 - 02	
MPC 06 - 03	
MPC 06 - 04	
MPC 08 - 01	
MPC 08 - 02	
MPC 08 - 03	
MPC 08 - 04	
MPC 10 - 02	
MPC 10 - 03	
MPC 10 - 04	
MPC 12 - 02	
MPC 12 - 03	
MPC 12 - 04	
MPC 16 - 04	

Male "Y"	
	
MPX 04 - M5	
MPX 04 - 01	
MPX 04 - 02	
MPX 06 - M5	
MPX 06 - 01	
MPX 06 - 02	
MPX 06 - 03	
MPX 06 - 04	
MPX 08 - 01	
MPX 08 - 02	
MPX 08 - 03	
MPX 08 - 04	
MPX 10 - 02	
MPX 10 - 03	
MPX 10 - 04	
MPX 12 - 02	
MPX 12 - 03	
MPX 12 - 04	

Male Elbow	
	
MPL 04 - M5	
MPL 04 - 01	
MPL 04 - 02	
MPL 06 - M5	
MPL 06 - 01	
MPL 06 - 02	
MPL 06 - 03	
MPL 06 - 04	
MPL 08 - 01	
MPL 08 - 02	
MPL 08 - 03	
MPL 08 - 04	
MPL 10 - 02	
MPL 10 - 03	
MPL 10 - 04	
MPL 12 - 02	
MPL 12 - 03	
MPL 12 - 04	
MPL 16 - 04	

Male Branch "T"	
	
MPB 04 - M5	
MPB 04 - 01	
MPB 04 - 02	
MPB 06 - M5	
MPB 06 - 01	
MPB 06 - 02	
MPB 06 - 03	
MPB 06 - 04	
MPB 08 - 01	
MPB 08 - 02	
MPB 08 - 03	
MPB 08 - 04	
MPB 10 - 02	
MPB 10 - 03	
MPB 10 - 04	
MPB 12 - 02	
MPB 12 - 03	
MPB 12 - 04	

Mail Union Manifold	MPKD 04 - 02	Equal Tee	MPE - 04	Union Elbow	MPV - 04
	MPKD 06 - 02		MPE - 06		MPV - 06
	MPKD 06 - 04		MPE - 08		MPV - 08
	MPKD 08 - 04		MPE - 10		MPV - 10
	MPKD 10 - 04		MPE - 12		MPV - 12
			MPE - 16		

Female Connector	MPCF 06 - 01	Union Coupler		Bulk Head Connector	MPM - 04
	MPCF 06 - 02		MPU - 04		MPM - 06
	MPCF 06 - 03		MPU - 06		MPM - 08
	MPCF 06 - 04		MPU - 08		MPM - 10
	MPCF 08 - 01		MPU - 10		MPM - 12
	MPCF 08 - 02				
	MPCF 08 - 03				
	MPCF 10 - 02				
	MPCF 12 - 03				
MPCF 12 - 04					

## FITTINGS

### ELBOW F C V



MSC 04 - M5

MSC 04 - 01

MSC 04 - 02

MSC 06 - M5

MSC 06 - 01

MSC 06 - 02

MSC 06 - 03

MSC 06 - 04

MSC 08 - 01

MSC 08 - 02

MSC 08 - 03

MSC 08 - 04

MSC 10 - 02

MSC 10 - 03

MSC 10 - 04

MSC 12 - 02

MSC 12 - 03

MSC 12 - 04

### Union F C V



MSU 04

MSU 06

MSU 08

MSU 10

MSU 12

### Equal Cross



MPZ 04

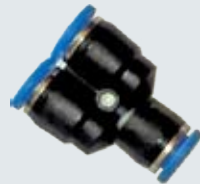
MPZ 06

MPZ 08

MPZ 10

MPZ 12

### Equal "Y"



MPY 04

MPY 06

MPY 08

MPY 10

MPY 12

### Un-Equal Bulkhead



MPU 04 - 06

MPU 06- 08

MPU 08 - 10

MPU 08 - 12

MPU 10- 12

### Brass Silencer



Model No.

Size

MSL 01

1/8"

MSL 02

1/4"

MSL 03

3/8"

MSL 04

1/2"

### Brass Silencer with Flow Control



Model No.

Size

MESL 01

1/8"

MESL 02

1/4"

MESL 03

3/8"

MESL 04

1/2"

### Plastic Silencer



Model No.

Size

MPSU 01

1/8"

MPSU 02

1/4"

MPSU 03

3/8"

MPSU 04

1/2"

### Coiled Hose Without Fittings



MPP04

MPP06

MPP08

MPP10

MPP12

### Tube Cutter



Model No.

### Blow Gun



Model No.

BC

BG

Code

Thread Size

01

1/8"

02


1/4"


03

3/8"

04

1/2"

Polyurethane Tubing    T : Transparent B : Blue	Code No.	Size	Std. Roll(Mts)
	U042.5	PU 4OD x 2.5ID (T)	100 MTR
	U042.5	PU 4OD x 2.5ID	100 MTR
	U0604	PU 6OD x 4ID	100 MTR
	U0805	PU 8OD x 5ID	100 MTR
	U085.5	PU 8OD x 5.5ID	100 MTR
	U0806	PU 8OD x 6ID	100 MTR
	U106.5	PU 10OD x 6.5ID	100 MTR
	U1008	PU 10OD x 8ID	100 MTR
	U1208	PU 12OD x 8ID	100 MTR
	U1209	PU 12OD x 9ID	100 MTR
	U1210	PU 12OD x 10ID	100 MTR
	U1612	PU 16OD x 12ID	100 MTR

Coiled Hose Without Fittings  	Size	
	06 OD X 04 ID X 03 mtr	10 OD X 08 ID X 03 mtr
	06 OD X 04 ID X 05 mtr	10 OD X 08 ID X 05 mtr
	06 OD X 04 ID X 10 mtr	10 OD X 08 ID X 10 mtr
	08 OD X 05 ID X 05 mtr	10 OD X 6.5 ID X 05 mtr
	08 OD X 05 ID X 10 mtr	12 OD X 08 ID X 03 mtr
	08 OD X 5.5 ID X 10 mtr	12 OD X 08 ID X 05 mtr
	08 OD X 06 ID X 03 mtr	12 OD X 08 ID X 10 mtr
	08 OD X 06 ID X 05 mtr	

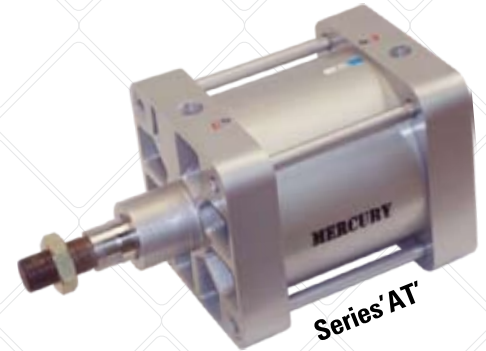
\* All types of accessories are available for  
Filter, Regulator and Lubricator



Pneumatic valves are available in ranges from 1/8" BSP to 1" BSP port sizes in 3/2, 5/2 and 5/3 configurations.

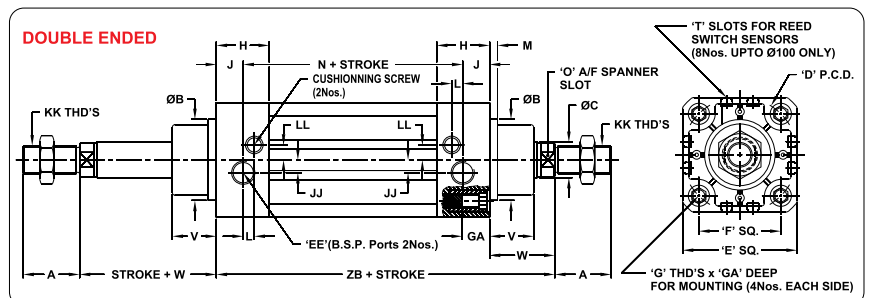
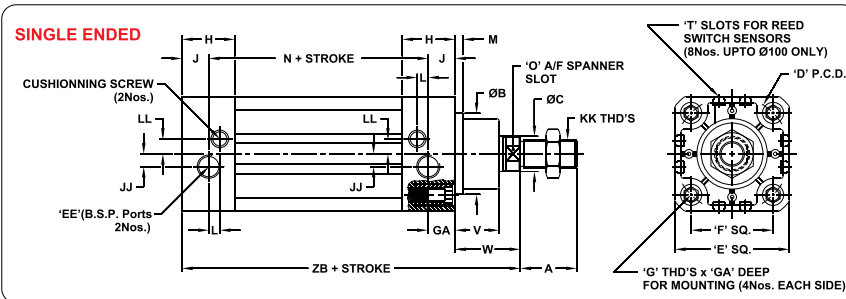
Mercury's special design 'T' ring spool valves introduced in 1980 have stood the test of time and are still the favorite choice of their OEM customers.

MICRO CYLINDERS



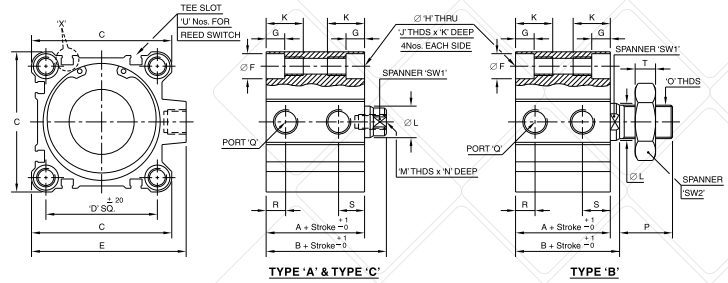
Salient Features

- Unique design, Low friction, Self adjusting, Double acting 'T' seal for Smooth, Jerk free motion.
- Precision honed barrel and super finished piston rod for low friction and long seal life.
- Strokes up to 1000 mm.
- Serviceable type cylinders.
- Double ended and single acting spring return models available against specific requests.

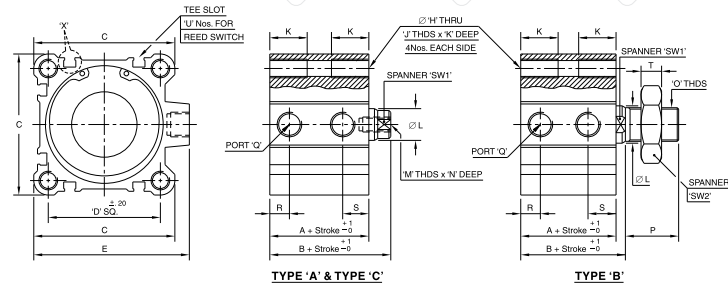




### Compact Cylinders : Series 'S'

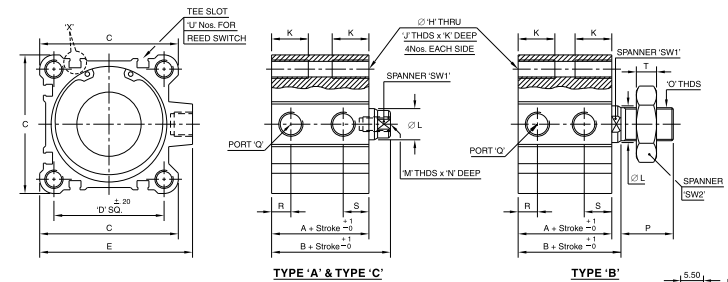


### Compact Cylinders : Series 'F'

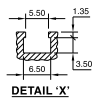


### Compact Cylinders : Series 'D'

The Mounting Dimensions as per VDMA 24562



TYPE 'A' – DOUBLE ACTING, FEMALE THREADS, MAGNETIC PISTON  
 TYPE 'B' – DOUBLE ACTING, MALE THREADS, MAGNETIC PISTON  
 TYPE 'C' – SINGLE ACTING, FEMALE THREADS, SPRING RETURN, NON MAGNETIC PISTON



## Salient Features

- Compact & light weight
- Single and Double acting models
- International standard 'T' slot for magnetic sensing switch
- Long life, positive locking reed switch
- Well guided piston & piston rod
- Self adjusting, low friction 'T' ring piston seal
- Rubber cushioning at both ends
- Magnetic piston with special rubber magnet as standard
- Mounting & overall dimensions to suit leading international brands
- Special mounting dimensions available on request



## Our Business Associates



### **Mercury Fluid Power Pvt. Ltd.**

PAP - 4,D - Block, 5 Star M.I.D.C Area,  
Shendra, Aurangabad - 431 205,  
Maharashtra, India.  
Tel.: 0240 - 2622111  
Website : [www.mfppl.com](http://www.mfppl.com)

#### **Head Office :**

D101A/136A, Ansa industrial Estate, Saki vihar Road,  
Sakinaka, Andehri ( E), Mumbai -400072.  
Phone: +91-22-28474449,28470063,28471020  
Fax: +91-22-28470632.  
Website: [www.mercuryindia.net](http://www.mercuryindia.net)

#### **For Details Contact Us :**

Vikas Bhosle | Cell: + 91 8888879282 | E-mail: [vikas.mfppl@gmail.com](mailto:vikas.mfppl@gmail.com)

▪ Authorised Dealer / Stockist ▪